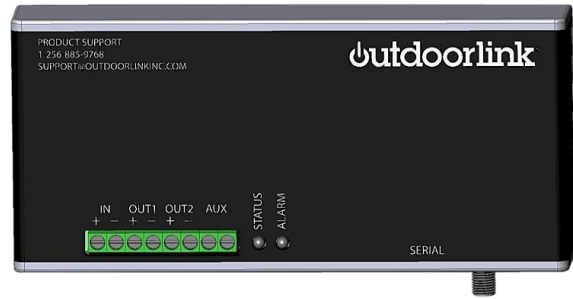


SmartLink™ SL-2-DC RDM Controller

Remote Device Management for DC Devices

- Reboot Devices Remotely
- Change Run-Times Remotely
- Cloud-Based Proof of Performance
- Power Outage Alert Notifications
- Battery Temperature Monitoring and Voltage Alerts
- Centralized Inventory Management for Field Assets



SmartLink is an asset management system designed to remotely manage and control field assets from one centralized platform. The SL-2-DC controller remotely monitors, schedules, and reboots up to two DC assets through its cloud-based portal. When systems lose power or assets stop drawing power, the SL-2-DC notifies users and enables 24/7 rebooting through its independent CAT-M1 cellular connection. The SL-2-DC provides clarity on whether issues are caused by lack of power or lack of connectivity, which speeds up troubleshooting and reduces asset downtime.

The SL-2-DC controls up to two assets on separately scheduled run-times from one shared power source (AC or Solar). The SmartLink system offers a Smart Weather feature to activate assets during unplanned inclement weather and has an open API to integrate into other Content / Inventory Management systems.

Commonly Managed DC Devices:

- | | | |
|---|---|---|
| <input type="checkbox"/> LED, LCD, E-Paper Signage | <input type="checkbox"/> Illuminated Static Advertising | <input type="checkbox"/> USB Charging Ports |
| <input type="checkbox"/> Bus Stop Shelter & Pole Lighting | <input type="checkbox"/> WIFI Routers | <input type="checkbox"/> Text-to-Speech Buttons |
| <input type="checkbox"/> Solar Batteries | <input type="checkbox"/> Media Players | <input type="checkbox"/> Security Cameras |

Technical Specifications:

Device Management	Manages up to 2 DC devices per controller
Runtime Settings	Automatic, GPS based sunrise/sunset times and/or manual time scheduling with integrated real-time clock
Enclosure	Polycarbonate, 6 x 3 x 1 in. (approx. 15.2 x 7.6 x 2.5 cm)
Input Voltage	8-30Vdc @ 6A
Output Voltage	8-30Vdc per output
Output Power	3A per port
Power Consumption	0.15 W or ~0.01 A
Connectivity	LTE Cat-M1 cellular connection with internal SIM & integrated antenna with external antenna option
Smart Weather	Devices activated outside their scheduled run-times during inclement weather per NOAA forecast maps
Operating Temp.	-20°C to 70°C
Environmental	Polycarbonate enclosure, 0-95% humidity, non-condensing, RoHS
Wiring Connection	Terminal block, 18AWG
System Reporting	Power readings, proof of performance, alarm history, maintenance log, battery temperature
Alarm Notifications	Loss of power, low power, power restore
Certifications	UL File Pending, FCC Class B Certified, PTCRB Certified, AT&T and Verizon Certified, Buy America Compliant

SL-2-DC Interface

The SL-2-DC controller can manage up to two DC devices that are either AC or DC/solar powered. Below is a summary of interface options, however not all features will apply to all installations.

Top View



Front View

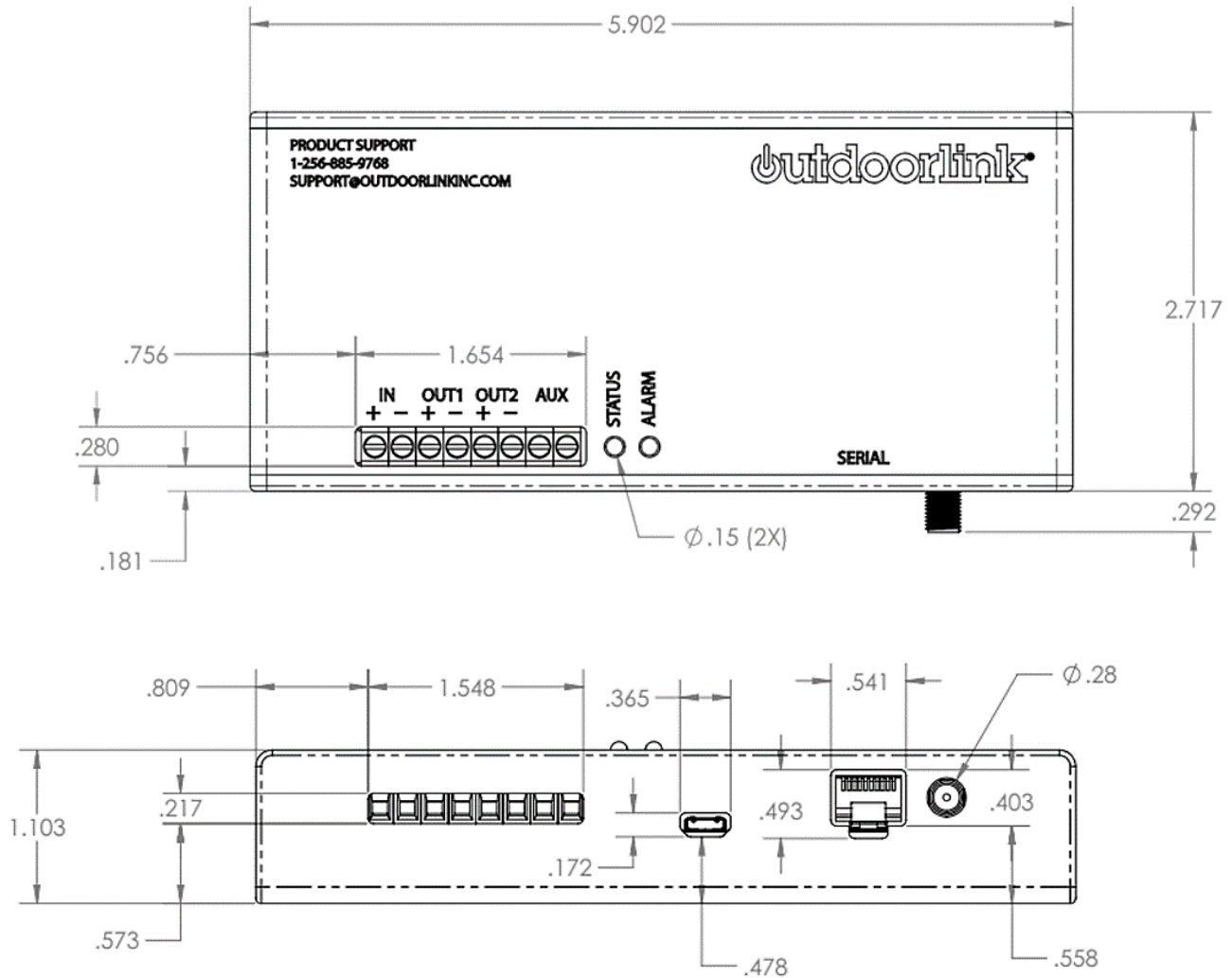


SL-2-DC Interface Items

1	Terminal Block IN (+)
2	Terminal Block IN (-)
3	Terminal Block OUT1 (+)
4	Terminal Block OUT1 (-)
5	Terminal Block OUT2 (+)
6	Terminal Block OUT2 (-)
7	Terminal Block Temp/AUX
8	Terminal Block Temp/AUX
9	USB 2.0 Micro-B Female
10	RJ45 to Serial Female
11	Connector for optional external antenna

SL-2-DC Engineered Drawings

Shown below are technical drawings for the SL-2-DC in inches.

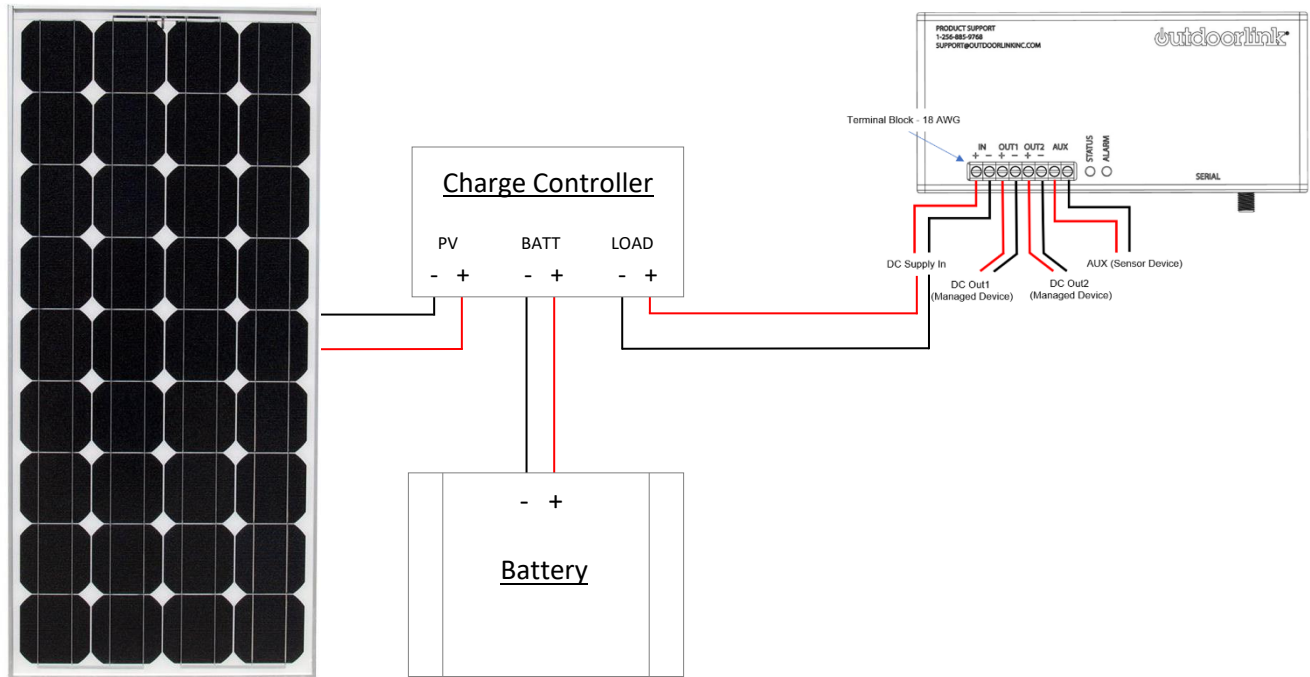


SL-2-DC Outside Dimensions

Height	1.103 in.
Width	2.717 in.
Length	5.902 in.

SL-2-DC Wiring Diagram (Solar Powered Systems)

Shown below is an example of how the SL-2-DC may integrate into a solar powered system.



SL-2-DC Wiring Specifications

Device Management	Manages up to 2 DC devices
Input Voltage	8-30Vdc @ 6A
Output Voltage	8-30Vdc per output
Output Power	3A per port
Wiring Connection	Terminal block, 18AWG
Auxiliary Output	Battery thermistor attachment for temperature monitoring