

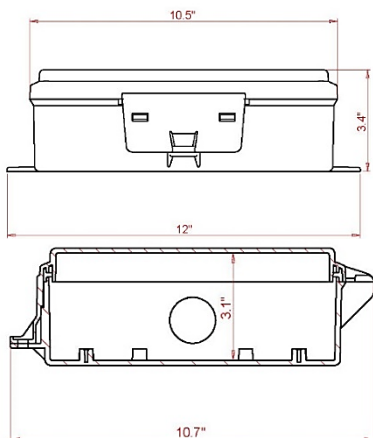
SmartLink™ SL-1-AC Controller

SmartLink removes the guesswork out of managing powered amenities and offsets the need for in-person site checks. Through its cellular-based connectivity, SmartLink gives users full control and visibility to assets from any computer or mobile device.

The SL-1-AC is an M2M controller that can manage one device and includes a weather resistant polycarbonate enclosure with tamper alarm. The SL-1-AC is great for managing AC powered assets such as billboard illumination, area lighting, kiosks, digital displays, and transit amenities.

Relay Outputs	One
Schedule Options	Sunset to Sunrise, Always On, Specific Times
Enclosure	Polycarbonate, 10.5 L x 9 W x 3.4 D in
Input Voltage	12A max @ 120Vac, 10A max @ 240Vac
Output Voltage	12A max @ 120Vac, 10A max @ 240Vac
Power Consumption	0.058A max @ 120Vac
Connectivity	LTE Cat-M1 with integrated antenna with external antenna option
Smart Weather	Devices activate outside their scheduled run-times per NOAA forecasts
Operating Temp	-25°C to 70°C
Environmental	NEMA 3/IP54, water and dust proof, 0-95% humidity, non-condensing, RoHS
Standard Features	Open API, Mapping, Rebooting, Scheduling, Alarms, Power Readings, Proof of Performance, Maintenance Log
Special Features	Tamper sensor, 4 schedules per relay
Wiring	3 ft. wiring harness with 10 AWG supply and #12 AWG load wires
Testing	Manual push button
Certifications	UL Listed, PTCRB Certified, FCC Class B Certified, AT&T and Verizon Certified
Alarms	Loss of Power, Power Restore, Tamper, Bulb Outage, No Current/Power and Bad Neutral
Reporting	Proof of Performance, Power Readings, Alarm History, Maintenance Log
Manufacturing Origin	Made in Huntsville, AL, USA

SmartLink SL-1-AC Controller Images:



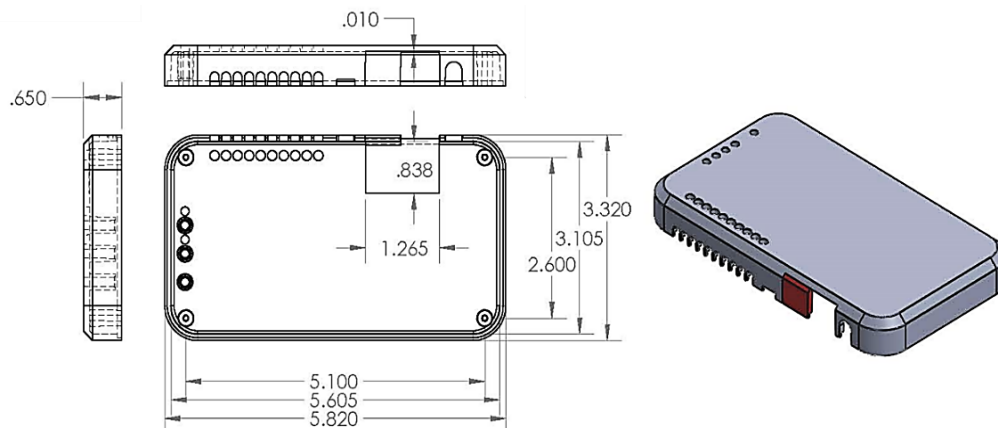
SmartLink™ SL-2-DC Controller

SmartLink removes the guesswork out of managing powered amenities and offsets the need for in-person site checks. Through its cellular-based online portal, SmartLink gives users full control and visibility to assets from any computer or mobile device.

The SL-2-DC is an M2M controller with special features for managing solar powered amenities such as voltage threshold triggers and remotely dimming. The SL-2-DC can manage two assets at different voltage inputs / outputs which makes it a great model for managing solar lighting, digital displays, media players and routers.

Relay Outputs	Two
Schedule Options	Sunset to Sunrise, Always On, Specific Times
Enclosure	Polycarbonate, 5.82 L x 3.3 W x 0.65 D in
Input Voltage	4A max @ 5-30Vdc per relay
Output Voltage	4A max @ 5-30Vdc per relay
Power Consumption	0.15 W or ~0.01 A
Connectivity	LTE Cat-M1 with integrated antenna with external antenna option
Smart Weather	Devices activate outside their scheduled run-times per NOAA forecasts
Operating Temp	0°C to 65°C
Environmental	0-95% humidity, non-condensing, RoHS
Standard Features	Open API, Mapping, Rebooting, Scheduling, Alarms, Power Readings, Proof of Performance, Maintenance Log
Special Features	Voltage threshold triggers, remote dimming, 2 assets can be managed at different voltage inputs / outputs
Wiring	Terminal block with 18 AWG supply and load wires
Testing	Manual push button
Certifications	UL Listing pending
Alarms	Loss of Power, Low Power, Power Restore, Offline
Reporting	Proof of Performance, Power Readings, Alarm History, Maintenance Log
Manufacturing Origin	Made in Huntsville, AL, USA

SmartLink SL-2-DC Controller Images:



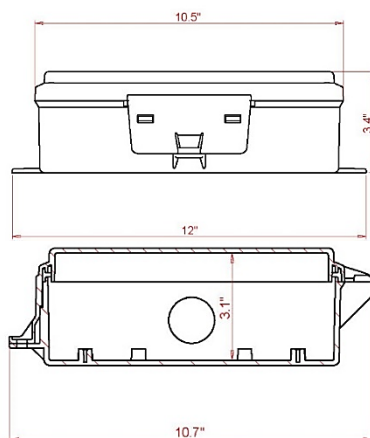
SmartLink™ SL-4-AC Controller

SmartLink removes the guesswork out of managing powered amenities and offsets the need for in-person site checks. Through its cellular-based online portal, SmartLink gives users full control and visibility to assets from any computer or mobile device.

The SL-4-AC is an M2M controller that can manage up to four devices and includes a weather resistant polycarbonate enclosure with tamper alarm. The SL-4-AC is great for managing multiple devices at one location, such as billboard illumination, area lighting, kiosks, digital displays, and transit amenities.

Relay Outputs	Four
Schedule Options	Sunset to Sunrise, Always On, Specific Times
Enclosure	Polycarbonate, 10.5 L x 9 W x 3.4 D in
Input Voltage	30A max @ 120-240Vac, 50-60hz
Output Voltage	17A max @ 120-240Vac
Power Consumption	0.13A max @ 120Vac
Connectivity	LTE Cat-M1 with integrated antenna with external antenna option
Smart Weather	Devices activate outside their scheduled run-times per NOAA forecasts
Operating Temp	-40°C to 75°C
Environmental	NEMA 3/IP54, water and dust proof, 0-95% humidity, non-condensing, RoHS
Standard Features	Open API, Mapping, Rebooting, Scheduling, Alarms, Power Readings, Proof of Performance, Maintenance Log
Special Features	Tamper sensor, 2 schedules per relay
Wiring	3 ft. wiring harness with 10 AWG supply and #12 AWG load wires
Testing	Manual push button
Certifications	UL Listed, PTCRB Certified, FCC Class B Certified, AT&T and Verizon Certified
Alarms	Loss of Power, Power Restore, Tamper, Bulb Outage, No Current/Power and Bad Neutral
Reporting	Proof of Performance, Power Readings, Alarm History, Maintenance Log
Manufacturing Origin	Made in Huntsville, AL, USA

SmartLink SL-4-AC Controller Images:

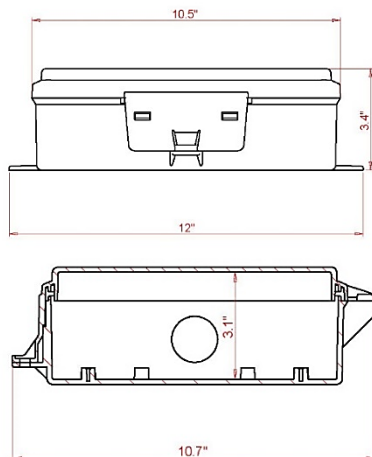


SmartLink™ SL-4-DC Controller

SmartLink removes the guesswork out of managing powered amenities and offsets the need for in-person site checks. Through its cellular-based online portal, SmartLink gives users full control and visibility to assets from any computer or mobile device.

The SL-4-DC is an M2M controller that can manage up to four devices and includes a weather resistant polycarbonate enclosure with tamper alarm. The SL-4-DC is great for managing multiple devices at one location, such as billboard illumination, area lighting, kiosks, digital displays, and transit amenities.

Relay Outputs	Four
Schedule Options	Sunset to Sunrise, Always On, Specific Times
Enclosure	Polycarbonate, 10.5 L x 9 W x 3.4 D in
Input Voltage	30A max @ 11-28Vdc
Output Voltage	7.5A max @ 11-28Vdc
Power Consumption	0.13A max @ 12Vdc
Connectivity	LTE Cat-M1 with integrated antenna with external antenna option
Smart Weather	Devices activate outside their scheduled run-times per NOAA forecasts
Operating Temp	-40°C to 75°C
Environmental	NEMA 3/IP54, water and dust proof, 0-95% humidity, non-condensing, RoHS
Standard Features	Open API, Mapping, Rebooting, Scheduling, Alarms, Power Readings, Proof of Performance, Maintenance Log
Special Features	Tamper sensor, 4 schedules per relay
Wiring	3 ft. wiring harness with 10 AWG supply and #12 AWG load wires
Testing	Manual push button
Certifications	UL Listed, PTCRB Certified, FCC Class B Certified, AT&T and Verizon Certified
Alarms	Loss of Power, Power Restore, Tamper, Bulb Outage, No Current/Power and Bad Neutral
Reporting	Proof of Performance, Power Readings, Alarm History, Maintenance Log
Manufacturing Origin	Made in Huntsville, AL, USA



SmartLink™ Vantage Controller

SmartLink removes the guesswork out of managing powered amenities and offsets the need for in-person site checks. Through its cellular-based online portal, SmartLink gives users full control and visibility to assets from any computer or mobile device.

The SmartLink Vantage is the newest addition to the SmartLink collection and offers the latest in virtual content verification. The SmartLink Vantage communicates over the same independent cellular network as other SmartLink controllers, and through an optical sensor, verifies whether content on an LCD display is accurate.

Relay Outputs	Two
Schedule Options	Sunset to Sunrise, Always On, Specific Times
Enclosure	Polycarbonate, 5.8 L x 3.3 W x 0.65 D in
Input Voltage	4A max @ 8-28Vdc per relay
Output Voltage	4A max @ 8-28Vdc per relay
Connectivity	LTE Cat-M1 with integrated antenna with external antenna option
Smart Weather	Devices activate outside their scheduled run-times per NOAA forecasts
Operating Temp	0°C to 50°C
Environmental	0-95% humidity, non-condensing, RoHS
Standard Features	Open API, Mapping, Rebooting, Scheduling, Alarms, Power Readings, Proof of Performance, Maintenance Log
Special Features	LCD digital content verification, 2 assets can be managed at different voltage inputs / outputs
Wiring	Terminal block with 18 AWG supply and load wires
Display Resolution	Single screen: 1920 x 1080p @ 60 fps
Hardware Interfaces	HDMI (x2-video input, output), terminal block, Micro USB, GigE Ethernet, sensor port
Testing	Manual push button
Certifications	UL Listing pending, Patented
Alarms	Loss of power, no display detected, no video input, no content on screen
Reporting	Proof of Performance, Power Readings, Alarm History, Maintenance Log
Manufacturing Origin	Made in Huntsville, AL, USA

SmartLink Vantage Controller Images:

